

## 11.9mm Camlock C159



## Product Description

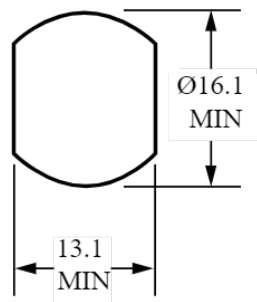
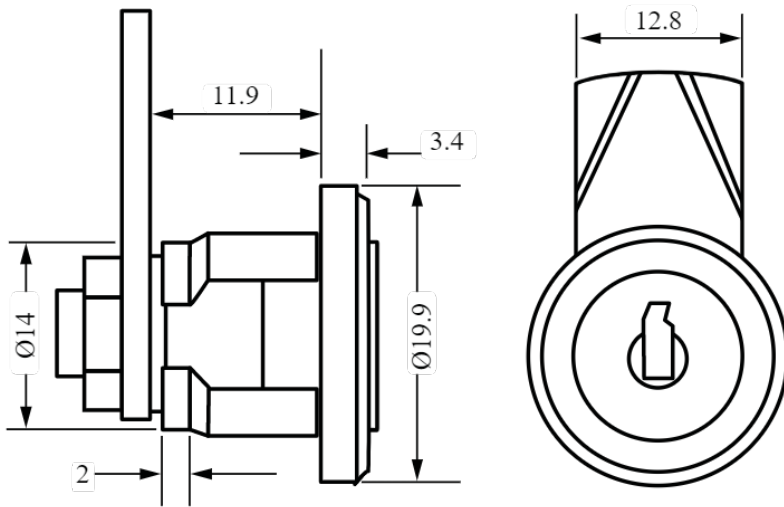
A 11.9mm Camlock C159 Nickel Plated with a Double D hole fixing shape. An ideal camlock for various applications including Medical Furniture and Automotive.

- **Standard movements:** 2
- **Lock Combinations:** 200
- **Standard finish:** Nickel plated
- **Fixing hole shape:** Double D
- **Comprehensive range of Cams available:** [See Cams](#)

## Options

Product Code	Key Series	Combinations	Head Shape	Head Depth	Housing Fixing	Max Panel Thickness	Finish	Movement	Body Length	Head Width
C159	1D	200	Cylindrical	3.4	Nut Fixing	5	Nickel Plated	2	11.9	19.9

## Technical Drawing



FIXING HOLE SIZE