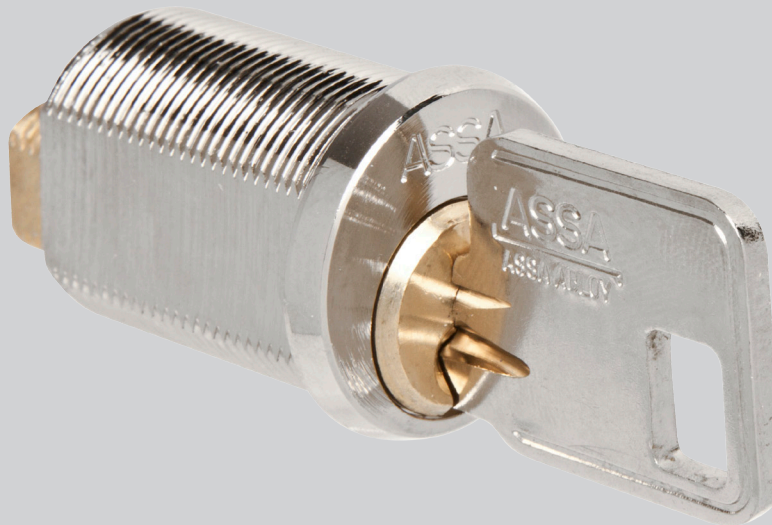


ASSA 10450

Cam Lock



Performance

5-pin heavy duty cylinder lock for material thickness up to 22 mm. Cylinders and keys of nickel plated brass. Large selection of 3 mm thick catches. Can be master keyed.

Function

The key turns 90° and can only be removed in when the catch is in the locked position. Right hand turning as standard and left hand is available on request.

ASSA[®]

ASSA ABLOY

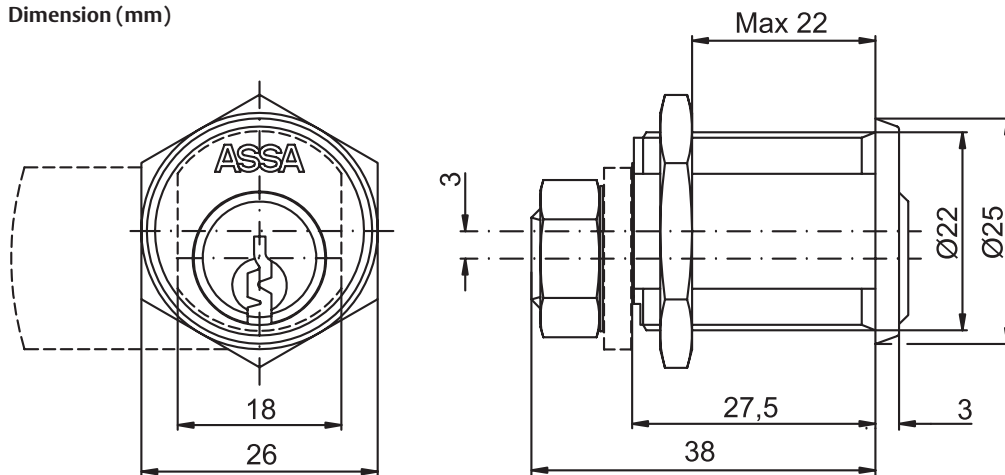
ASSA ABLOY, the global leader
in door opening solutions.

NORMAL
SECURITY

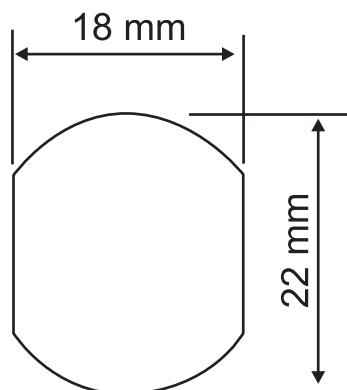
ASSA 10450

Cam Lock

Dimension (mm)



Hole preparation



ASSA[®]

ASSA ABLOY

ASSA ABLOY, the global leader in door opening solutions, dedicated to satisfying end-user needs for security, safety and convenience.

ASSA OEM AB
P.O. Box 371
SE-631 05 Eskilstuna
Sweden

phone +46 (0)16 17 70 00
fax +46 (0)16 17 74 51

Customer support:
phone +46 (0)16 17 79 50
fax +46 (0)16 17 70 18
e-mail: cs@assaoem.se

www.assa.se

Included in part no: 492214 000 002

Part	Part no.	Material	Finish
2 keys	491155 000 002	Brass	Nickel plated
Large nut	490610 900 057	Steel	Zinc plated
Small nut	491439 900 057	Steel	Zinc plated
Stop washer	492069 900 002	Brass	Nickel plated
Locking washer	490246 900 057	Steel	Zinc plated

Notes

Cylinder house: Nickel plated brass

Cylinder: Brass

Accessories see data sheet "Accessories"

Catches see data sheet "Spare parts"