

ASSA ABLOY 8450

ASSA ABLOY
Opening Solutions

Cam lock



Performance

5-pin heavy duty cylinder lock for material thickness up to 16 mm. Cylinder core of brass, cylinder house of nickel plated Zamak and keys of nickel plated brass. Large selection of 3 mm thick catches. Can be master keyed.

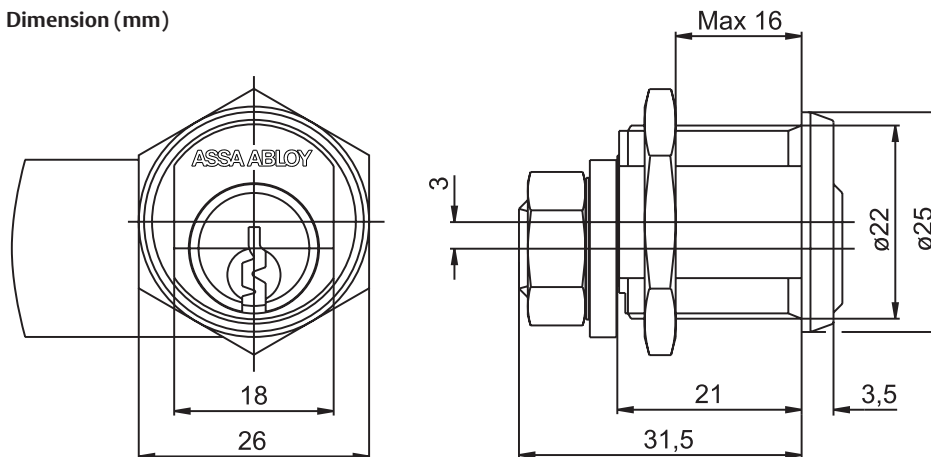
Function

The key turns 90° and can only be removed when the catch is in the locked position. Right hand turning as standard and left hand is available on request.

**NORMAL
SECURITY**

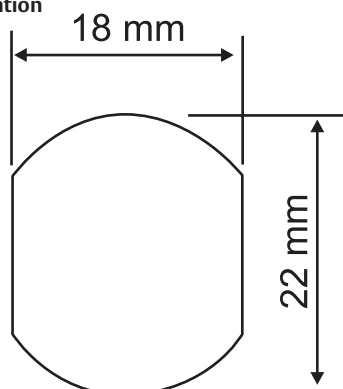
Cam lock

Dimension (mm)



Part no: 492040 000 002

Hole preparation



Included in part no: 492040 000 002

Part	Part no	Material	Finish
Keys (2 pieces)	491155 000 002	Brass	Nickel plated
Large nut	490610 000 057	Steel	Zinc plated
Small nut	491439 000 057	Steel	Zinc plated
Stop washer	492069 000 002	Brass	Nickel plated
Locking washer	490246 000 057	Steel	Zinc plated

Notes

Cylinder house: Nickel plated Zamak
 Cylinder: Brass
 Accessories see data sheet "Accessories"
 Catches see data sheet "Catches"
 Spare parts see data sheet "Spare Parts"

ASSA ABLOY Opening Solutions Sweden
 P.O. Box 371
 SE-631 05 Eskilstuna
 Sweden

Phone +46 (0)16 17 70 00
 Fax +46 (0)16 17 70 49

Customer support:
 Phone intl. +46 (0)16 17 71 00
 Phone nat. 0771-640 640
 Fax +46 (0)16 17 73 72
 e-mail: helpdesk.se.openingsolutions@assaabloy.com
www.assaabloyopeningsolutions.se